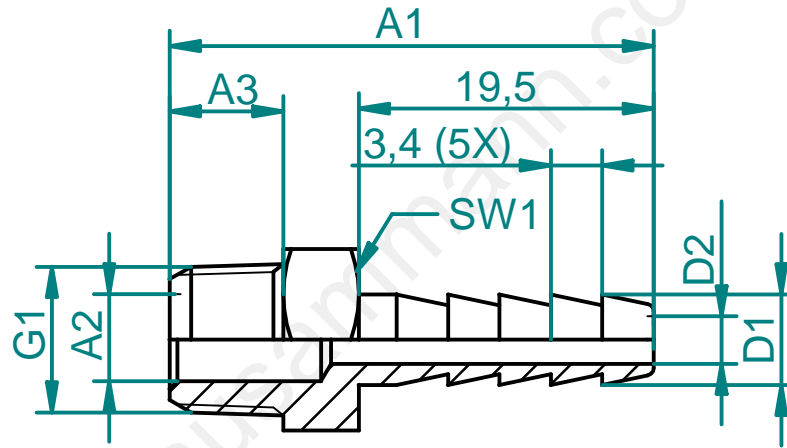



| General tolerances ISO 2768-m |      |              |                |                |                  | Index | Date | Visum | Modification | Index | Date | Visum | Modification |
|-------------------------------|------|--------------|----------------|----------------|------------------|-------|------|-------|--------------|-------|------|-------|--------------|
| Basic-size                    | ...6 | > 6<br>...30 | > 30<br>...120 | >120<br>...400 | > 400<br>...1000 |       |      |       |              |       |      |       |              |
| medium                        | ±0.1 | ±0.2         | ±0.3           | ±0.5           | ±0.8             |       |      |       |              |       |      |       |              |



| Specifications points D,K,H |  |
|-----------------------------|--|
| D= doc.points               |  |
| K= critical                 |  |
| H= main                     |  |

|  |                    |   |           |  |
|--|--------------------|---|-----------|--|
| Accord-draw.no.:<br>Origin-draw.no.:<br>Replacement for:   | Material:          |   |           |  |
|  | Messing vernickelt |   |           |  |
|  | Scale              |   | Date      | Visum  |
|  | <b>2:1</b>         |   | 11.04.11  | E.Z  |
|  <b>HAUSAMMANN</b><br>KOMONENTEN<br>PRODUKTION<br>SYSTEME |                    | 38.480  | Format    | Index  |
|  |                    | <b>Solid Edge</b>   | <b>A4</b> | <b>00</b>  |
| © 2010, Für dieses Dokument behalten wir uns alle Rechte vor.  |                    | © 2010, Nous nous reservons tous les droits sur ce document |           | © 2010, We reserve all rights in connection with this document |